



72 SP-7006, Royal Air Force (RAF) Show Room, UK

LED HIGH BAY LIGHT



SP-7006, Caterpillar Service Center, Mexico 73



Material:

- Aluminum Alloy Housing
- Strengthen glass
- Processed Surface

Standard Specifications:

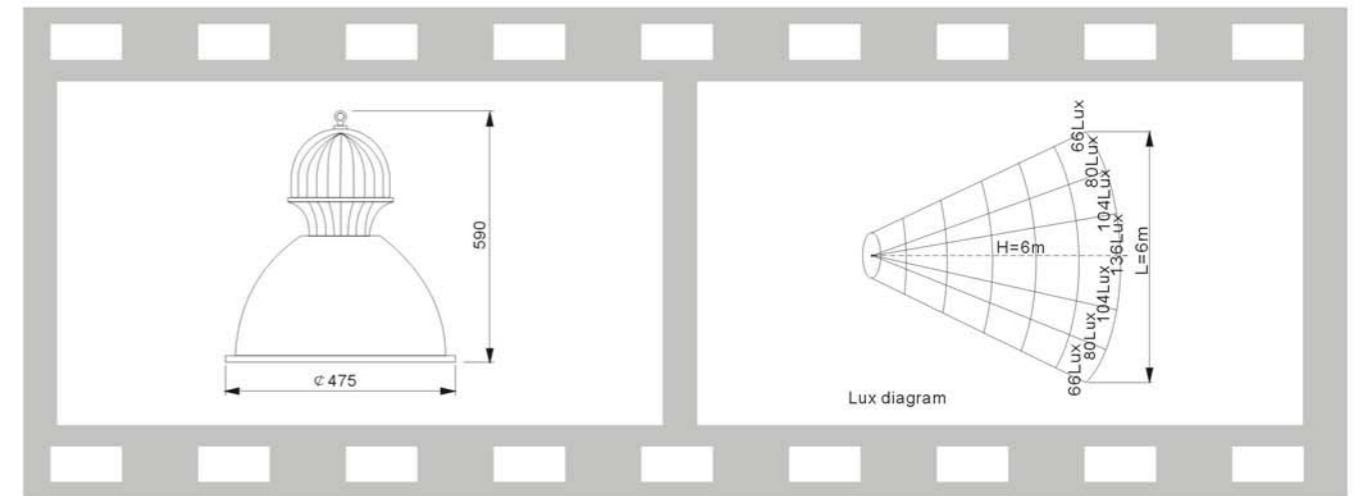


Optional Parts:



Above may be change with standard part to fit the specification required for your unique project

Applications: Warehouses, Factories, Large Stores, Supermarkets, Freezer Rooms, Cold Stores



Item No (No.)	Input (V/AC)	Power (W)	Luminous Flux (lm)	Color Temperature (K)	Colour Rendering index (Ra)
SP-7006	90~260	80	6400	5000~6000	80
	90~260	100	8000	5000~6000	80
	90~260	120	9600	5000~6000	80



76 SP-7006, Caterpillar Service Center, Mexico

LED HIGH BAY LIGHT



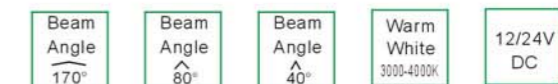
Material:

- Aluminum Alloy Housing
- Processed Surface
- Open Ended High Light Transparency

Standard Specifications:

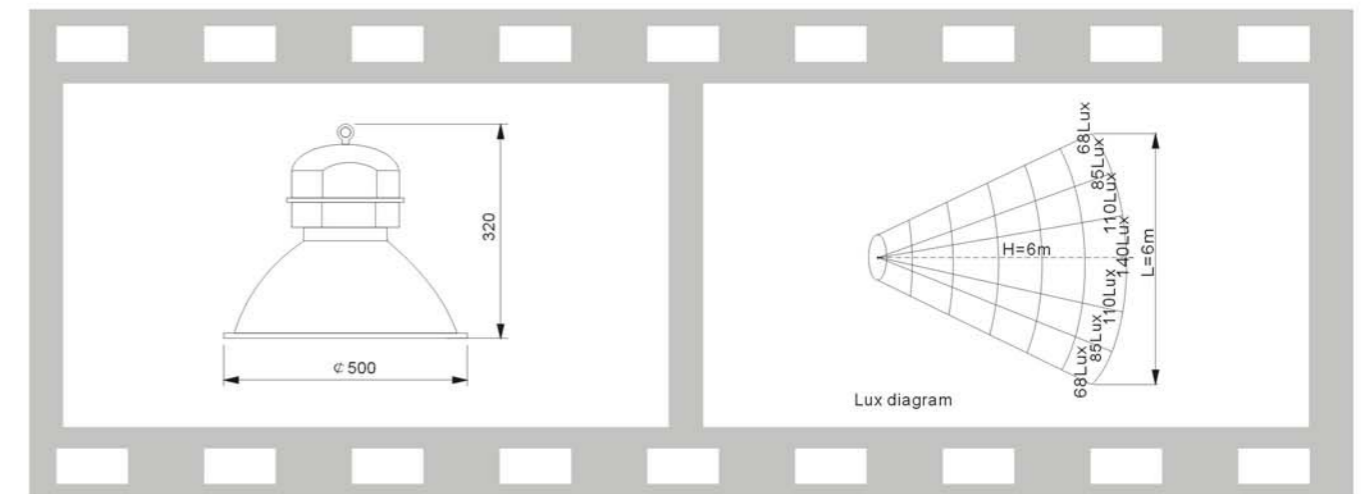


Optional Parts:



Above may be change with standard part to fit the specification required for your unique project

Applications: Warehouses, Food Processing Factories, Large Store



Item No (No.)	Input (V/AC)	Power (W)	Luminous Flux (lm)	Color Temperature (K)	Colour Rendering index (Ra)
SP-7007	90~260	80	6400	5000~ 6000	80
	90~260	100	8000	5000~ 6000	80
	90~260	120	9600	5000~ 6000	80



Material:

- Aluminum Alloy Housing
- Strengthen Glass
- Processed Surface and Spray Painted

Standard Specifications:



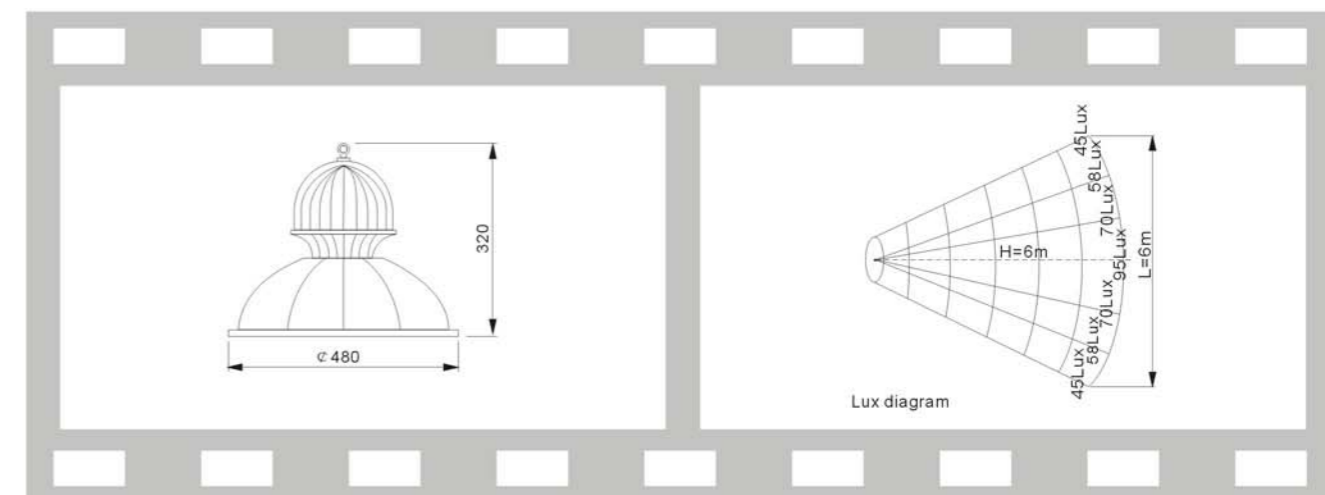
Optional Parts:



Above may be change with standard part to fit the specification required for your unique project



Applications: Warehouses, Factories, Large Stores, Supermarkets, Freezer Rooms, Cold Stores



Item No (No.)	Input (V/AC)	Power (W)	Luminous Flux (lm)	Color Temperature (K)	Colour Rendering index (Ra)
SP-7008	90~260	50	4000	5000~6000	80
	90~260	80	6400	5000~6000	80



Material:

- Aluminum Alloy Housing
- Processed Surface
- Open Ended High Light Transparency

Standard Specifications:

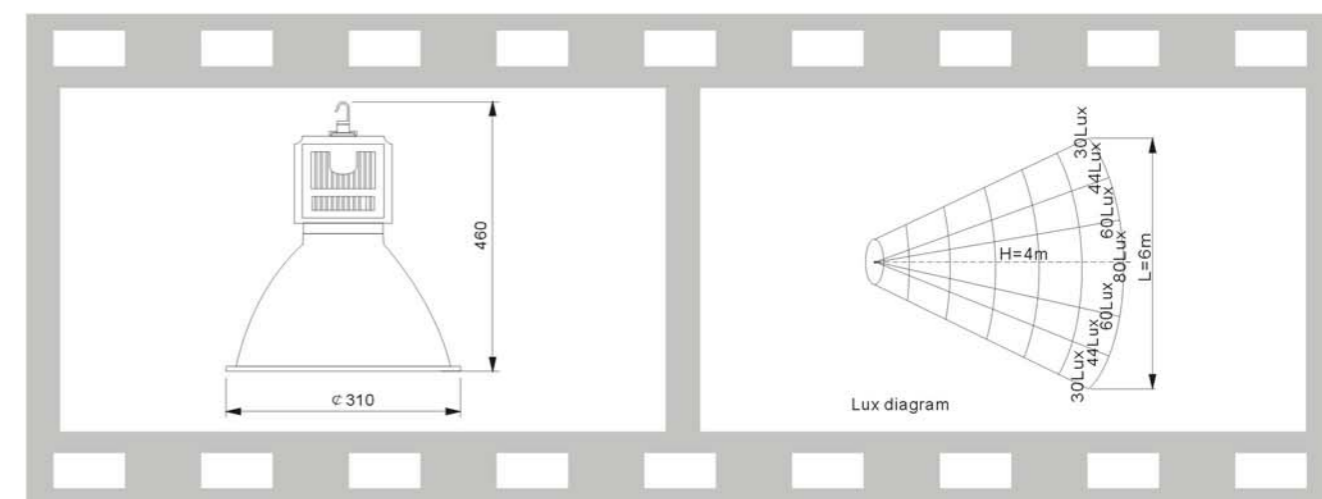


Optional Parts:



Above may be change with standard part to fit the specification required for your unique project

Applications: Warehouses, Food Processing Factories, Large store



Item No (No.)	Input (V/AC)	Power (W)	Luminous Flux (lm)	Color Temperature (K)	Colour Rendering index (Ra)
SP-7080	90~260	30	2400	5000~6000	80



Material:

Aluminum Alloy Housing
Strengthen glass
Processed Surface

Standard Specifications:

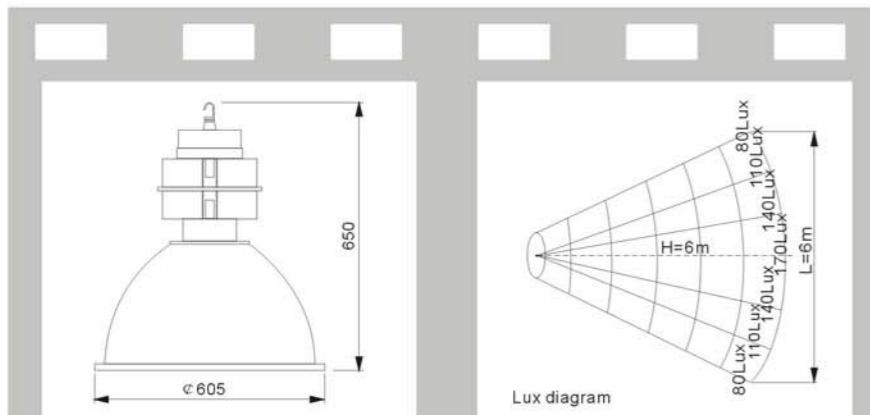


Optional Parts:



Above may be change with standard part to fit the specification required for your unique project

Applications: Warehouses, Factories, Large Stores, Supermarkets, Freezer Rooms, Cold Stores



Item No (No.)	Input (V/AC)	Power (W)	Luminous Flux (lm)	Color Temperature (K)	Colour Rendering index (Ra)
SP-7081	90~260	150	12000	5000~6000	80



Material:

Compressed Aluminum Alloy Housing
Plastic Cover
Processed Surface

Standard Specifications:

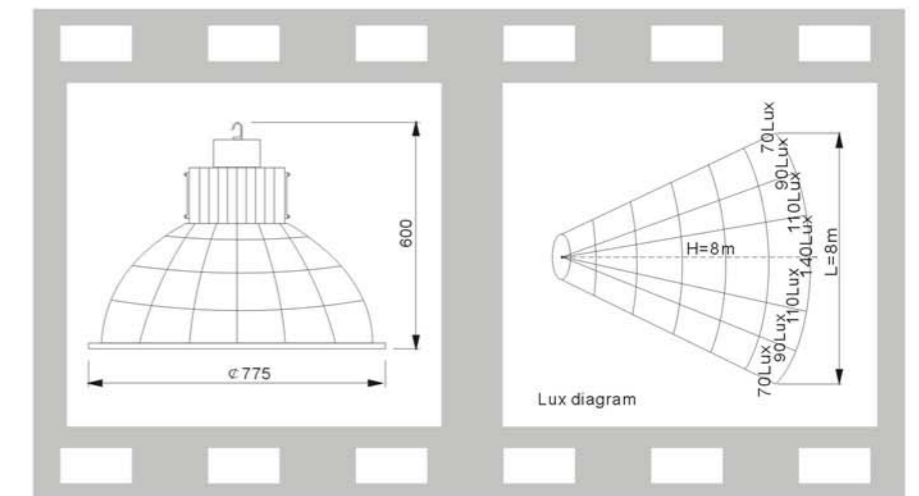


Optional Parts:



Above may be change with standard part to fit the specification required for your unique project

Applications: Warehouses, Food Processing Factories, Freezer Rooms, Cold Stores



Item No (No.)	Input (V/AC)	Power (W)	Luminous Flux (lm)	Color Temperature (K)	Colour Rendering index (Ra)
SP-7082	90~260	200	15000	5000~6000	80
	90~260	250	18750	5000~6000	80



SP-7006, Warehouse, Crezch Republic